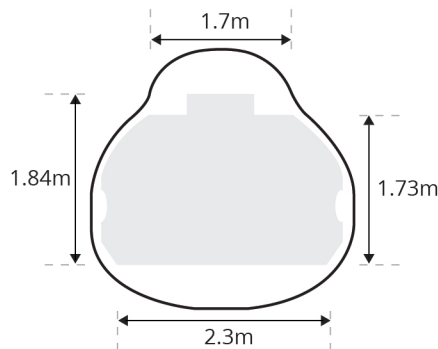
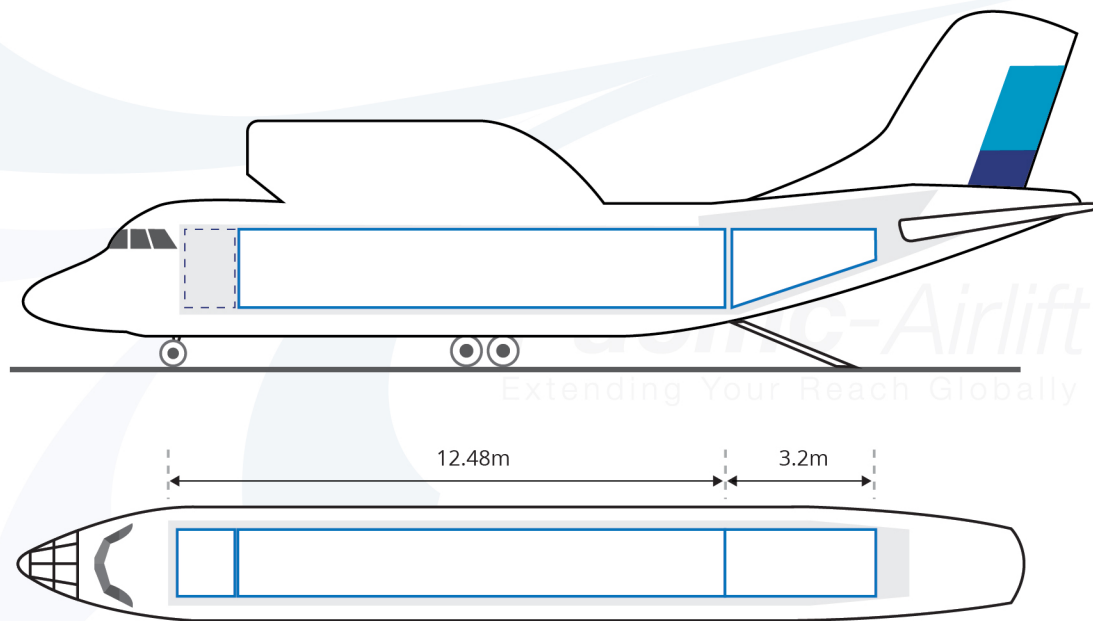




## Antonov AN-32B

The AN-32B is the commercial variation of the AN-32, with short and medium range. It carries pallets and non-palletized cargo and has a ceiling-mounted on-board crane for loading purposes, as well as removable roller equipment. It can also carry vehicles. The cargo compartment is pressurized and has air conditioning.



### Specifications

Manufacturer	Antonov
Type	AN 32B
Cargo Hold Size LxWxH (m)	12.48 x 2.3 x 1.84
Ramp Door Size WxH (m)	2.3 x 1.84
Lower Forward Door WxH (m)	N/A
Lower Aft Door WxH (m)	N/A
Bulk Size WxH (m)	N/A
Payload (kg)	6,700
Volume (m <sup>3</sup> )	66
Cruise Speed (kph)	530 (286 knots)
Range Fully Loaded (km)	780
Runway Length Requirement (m)	1,800
Runway Length Requirement (ft)	5,906
Powerplant	2 x Turboprop